

# KONE MONOSPACE® 300 DX

## CONFIGURATION & DIMENSIONS

### Max Travel

48 ft.

### Max Landings

4

### Speed

150 fpm (.75 m/s)

### Car Height **F**

7 ft. 6 in. or 9 ft.

(2286 or 2743 mm)

### Entrance Height **G**

7 or 8 ft.

(2134 or 2438 mm)



Visit [kone.us](http://kone.us) for the latest project-specific details, BIM, CAD drawings, CSI specifications, electrical data, reaction loads and building access requirements.

		<b>A</b>	<b>A SEISMIC</b>	<b>B</b>	<b>B SEISMIC</b>	<b>C</b>	<b>D</b>	<b>E</b>			
		CAPACITY LBS. (kg)	OPENING TYPE <sup>(9)</sup>	HOISTWAY WIDTH (mm)	HOISTWAY WIDTH (mm)	HOISTWAY DEPTH (mm)	HOISTWAY DEPTH (mm)	INTERIOR WIDTH (mm)	INTERIOR DEPTH (mm)	DOOR WIDTH (mm)	STRETCHER ACCOMMODATION <sup>(9)</sup>
FRONT OPENING	PASSENGER	2000 (907)	Side Opening	7'-4" (2235)	7'-9" (2362)	5'-9" (1753)	5'-9 1/2" (1766)	5'-8 7/8" (1750)	4'-4 7/16" (1332)	3'-0" (914)	NO
		2500 (1134)	Side Opening or Center Opening	8'-4" (2540)	8'-9" (2667)	5'-9" (1753)	5'-9 1/2" (1766)	6'-8 7/8" (2055)	4'-4 7/16" (1332)	3'-6" (1067)	NO
		3000 (1361)	Side Opening or Center Opening	8'-4" (2540)	8'-7" (2616)	6'-3" (1905)	6'-3 1/2" (1918)	6'-5 5/8" (1971)	5'-0 7/16" (1536)	3'-6" (1067)	NO
		3500 (1588)	Side Opening or Center Opening	8'-4" (2540)	8'-7" (2616)	6'-11" (2108)	6'-11" (2108)	6'-5 5/8" (1971)	5'-6 5/8" (1693)	3'-6" (1067)	YES <sup>(9)</sup>
FRONT & REVERSE OPENING	PASSENGER	2000 (907)	Side Opening	7'-4" (2235)	7'-9" (2362)	6'-3 3/4" (1924)	6'-3 3/4" (1924)	5'-8 7/8" (1750)	4'-4 7/16" (1332)	3'-0" (914)	NO
		2500 (1134)	Side Opening or Center Opening	8'-4" (2540)	8'-9" (2667)	6'-3 3/4" (1924)	6'-3 3/4" (1924)	6'-8 7/8" (2055)	4'-4 7/16" (1332)	3'-6" (1067)	NO
		3000 (1361)	Side Opening or Center Opening	8'-4" (2540)	8'-7" (2616)	6'-11 3/4" (2127)	6'-11 3/4" (2127)	6'-5 5/8" (1971)	5'-0 7/16" (1536)	3'-6" (1067)	NO
		3500 (1588)	Side Opening or Center Opening	8'-4" (2540)	8'-7" (2616)	7'-6" (2286)	7'-6" (2284)	6'-5 5/8" (1971)	5'-6 5/8" (1693)	3'-6" (1067)	NO

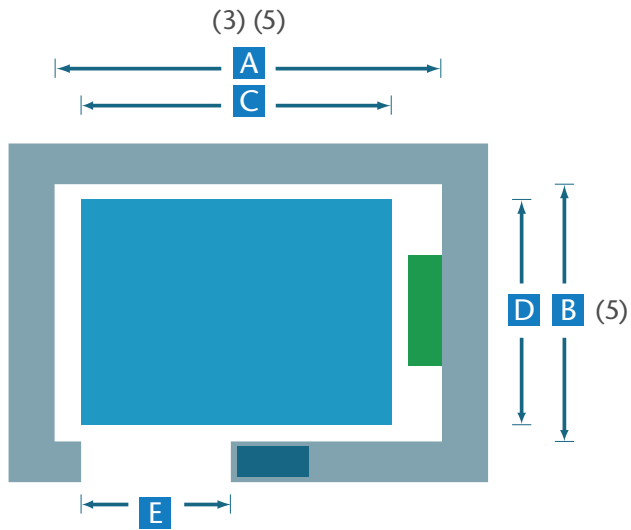
CLEAR OVERHEAD <b>H</b> AND PIT DEPTH <b>I</b>		
CAPACITY LBS. (kg)	150 FPM (.75 m/s)	
	Pit Depth (mm)	Clear Overhead (mm)
2000 to 3500 (907 to 1588)	5'-0" (1524)	11'-8" (3556) <sup>(11)</sup>

CONTROL SPACE		<b>J</b>	<b>K</b>	<b>L</b>
CAPACITY LBS. (kg)	CONTROLLER SPACE	WIDTH (mm)	DEPTH (mm)	DOOR WIDTH (mm)
2000 to 3500 (907 to 1588)	Remote Closet	4'-1" (1245)	1'-11" (584)	3'-6" (1067)
2000 to 3500 (907 to 1588)	Adjacent or Remote Room	5'-0" (1524)	Dimension (B)	3'-0" (914)

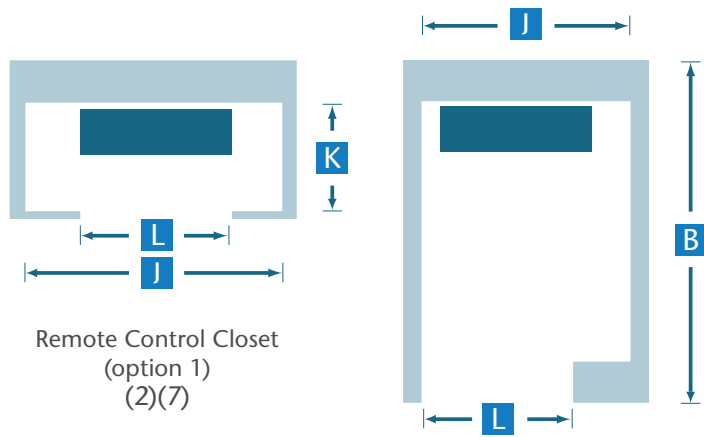
### Notes

- An 8" inch tall hoist beam is required for installation (by others). Dimension **H** reflects 11'-8" clearance under hoist beam. This clearance is available with a flush or moveable hoist beam.
- If an EBD (Emergency Battery Device) is required please contact your KONE Sales Professional for further detail regarding dimensions, **J** and **L**.
- The published hoistway **A** dimensions represent the minimum clear inside requirements. Construction efficiencies can be realized by increasing these dimensions by up to 2" (51 mm).
- For pit depths less than 5' (1524 mm) please contact a KONE Sales Professional.
- The published interior width **C** and depth **D** dimensions represent the minimum clear inside requirements without raised panels. For interior width **C** and Depth **D** dimensions with raised panels please contact a KONE sales Professional.
- A pit ladder wall pocket may be required. Please contact a KONE sales Professional.
- Contact your local KONE Sales Professional regarding local code variations when utilizing the integrated remote closet options.
- If IBC (International Building Code) 2018 or ASME A17.1-2019/CSA B44-19 code is applicable, contact your local sales professional for controller space configurations.
- Stretcher accessibility based only for side opening type and International / California Building Code specified 24 inch by 84 inch stretcher with 5 inch degree radius corners. Customers in Canada, please review stretcher compliance with your local sales representatives.
- All KONE MonoSpace 300 elevators utilize a single speed door.
- All dimensions are based on an 7'-6" (2286 mm) cab with a 7'-0" (2134 mm) door. Alternate car and door heights are available but will affect dimension **H**.

# Plan views



Integrated Control Solution (standard)



Remote Control Closet (option 1) (2)(7)

Adjacent or Remote Control Room (option 2) (2)(7)

# Section view

