



3500 LB  
1588 KG  
21 PERSONS  
Elevator 1



CREATE VALUE FOR  
YOUR BUILDING WITH  
IMPROVED PEOPLE FLOW

KONE ReSolve™ DX

# REVITALIZE YOUR ELEVATOR

All elevators need to be thoroughly modernized eventually – even if they have been properly maintained.

After several years, parts wear out and repairs can become more expensive, and you might even have problems finding spare parts. If your elevator has been in service for 25 years or more, it's also likely that it isn't as reliable or safe as it could be.

Older elevators consume more power than modern elevators and contain outdated technology. Additionally, older elevators may not level accurately with landing floors which can cause people to trip or fall. An aging and unreliable elevator can even have an impact on the value of your building. After 25 years and 6213 miles\*, is it time to think about giving your elevator a new lease on life?

## SAVE MONEY AND IMPROVE SAFETY AND RELIABILITY AT THE SAME TIME


KONE ReSolve™ DX is a comprehensive controller modernization solution that can significantly cut your elevator's operating costs and also improve its reliability. With fewer repairs and much lower energy consumption, you can save a considerable amount of money over the elevator's lifetime. KONE ReSolve DX also improves safety and accessibility by accurately leveling with landing floors, which helps reduce the risk of people tripping on the elevator sill.

\* Traction elevator, based on residential building usage of 25 years, 54,750 starts/year, 26 feet travel/start.



## Key benefits of upgrading your elevator

- Improves elevator energy efficiency, reliability, and safety
- Improves accessibility with accurate leveling
- Minimizes elevator downtime with quick installation
- Complies with all relevant North America safety and accessibility standards



## The fast and flexible way to improve safety, performance, and energy efficiency

We offer KONE ReSolve DX for all building types. We modernize your elevator's electrification system, specifically the controller. A KONE ReSolve DX modernization also offers peace of mind with the optional KONE 24/7 Emergency Video Communication\* system that connects passengers with our KONE Customer Care Center in the event of an emergency.

## Robust, reliable components and faster fault diagnosis

KONE ReSolve DX components are designed to be robust and reliable. The fully encapsulated circuit boards reduce the risk of electrostatic discharge and prevent dust and foreign objects from causing faults. The modernization also includes a modern safety system that automatically identifies faults at the switch level and shows them on a display that technicians can use to quickly diagnose problems.

## Save power, save money

For traction elevators, KONE ReSolve DX uses Variable Voltage, Variable Frequency (V3F) drive control to significantly reduce energy consumption. You can make even greater energy savings with advanced standby features that power down certain functions when the elevator is not in use.

\*This capability may be required by code in your jurisdiction.

# A NEW ERA OF ELEVATOR EXPERIENCE

In an increasingly digitalized world, everything is connected – and elevators are no exception. With the KONE ReSolve™ DX solution, you can create a completely new kind of elevator experience.

DX stands for digital experience, because with the KONE ReSolve™ DX solution you can create an experience that really connects – on every level. Connectivity lets you benefit from improved people flow plus a variety of innovative new services to make everyday life even easier and more enjoyable.

By making the core of your building updateable, you're investing in the value of your building by preparing for future needs and functionality.

## 1 Get connected for smooth people flow

With connectivity and KONE application programming interfaces (APIs), you can make your elevator smarter and more desirable with new people flow solutions and value-adding services from KONE and our partners. By upgrading an existing elevator, you can optimize people flow and operational efficiency while also making sure your property is ready to take advantage of future smart-building technologies.\*

## 2 Redefine the user experience

With real-time information for passengers, an engaging multisensory user experience, and other smart building applications, you can redefine elevator rides in your building and improve everyday convenience with enhanced accessibility and equipment availability.

## 3 Plan for success with KONE as your partner

As your experienced partner for smart buildings, we can help you manage your property more efficiently with valuable insights into end-user behavior that can be used to continuously optimize people flow and improve the user experience.

\*Subject to building compatibility.

### Easy to upgrade

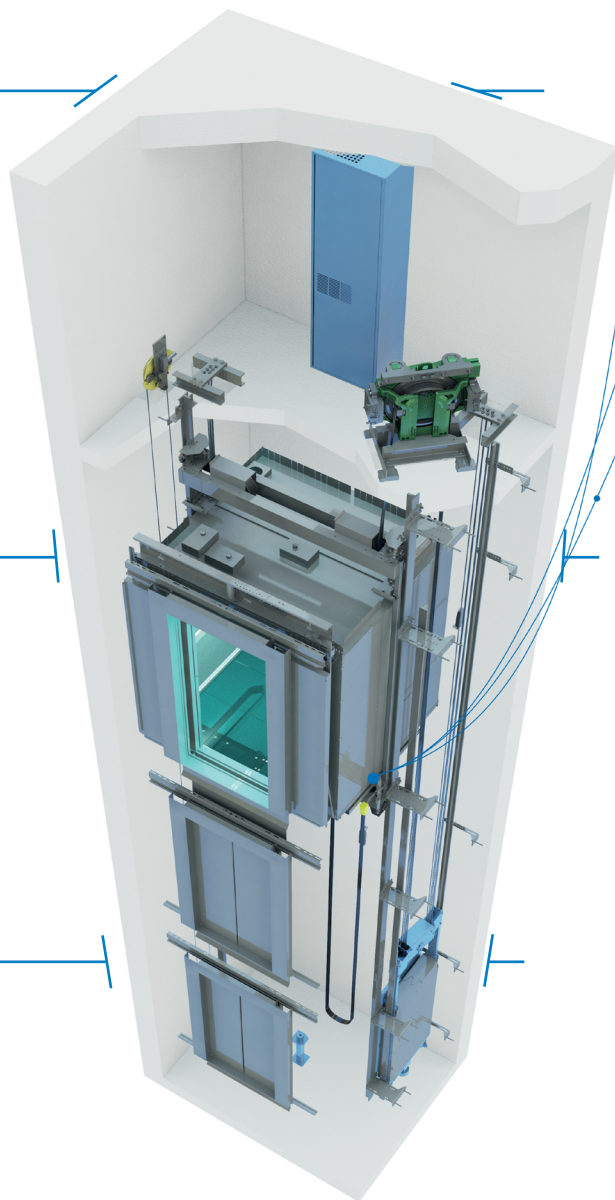
Connectivity gives you the possibility to upgrade in the future as your needs change by adding new connected services and features whenever you need them.

### Best-in-class eco-efficiency

Save energy and cut your building's carbon footprint with our lighting and standby solutions.

### Upgrade performance and reliability

By refreshing your elevator's mechanical and electrical components you can significantly improve its performance and reliability.



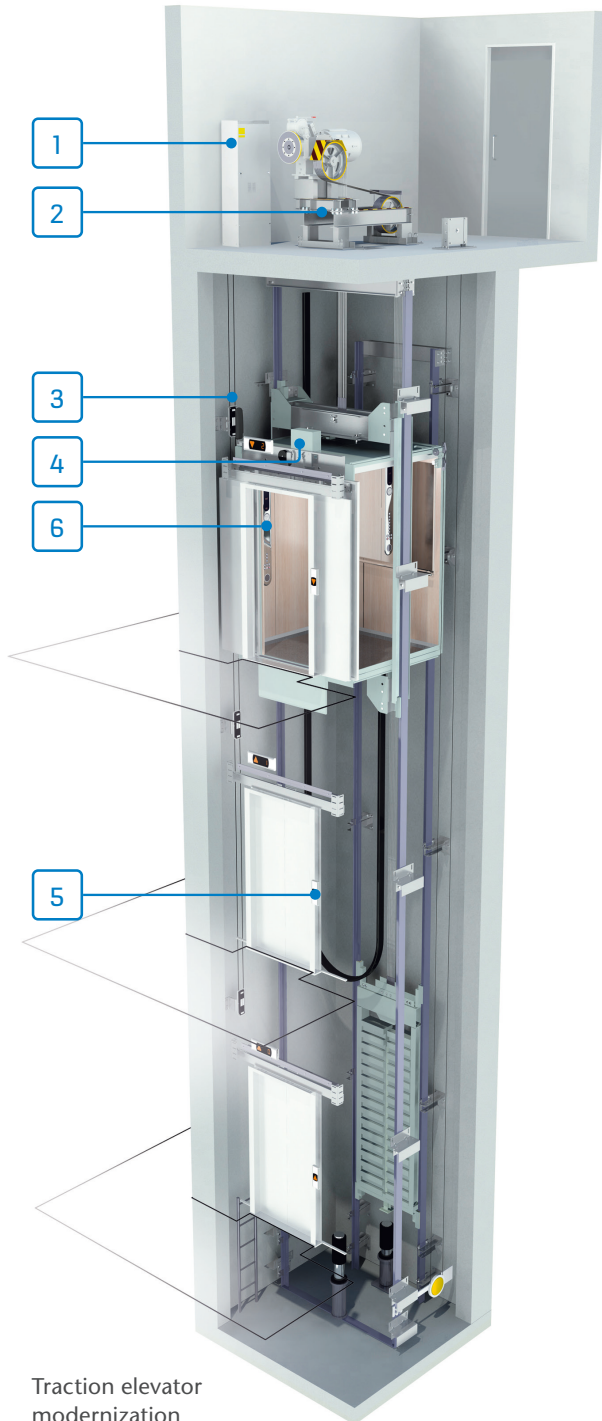
# FUTURE-PROOF YOUR BUILDING WITH CONNECTIVITY

We have added connectivity to make the KONE ReSolve™ DX solution smarter to optimize people flow and enable increased operational efficiency.

Connected people flow means your elevator solution never stands still, it's easy to upgrade – evolving with your building, adding value, and increasing the attractiveness of the property to prospective tenants.

To bring you peace of mind in the digital world, cybersecurity and privacy are designed into our digital services and connections. We continuously monitor the security of the digital environment and the reliability of the connectivity.





Traction elevator  
modernization



## KONE RESOLVE™ DX INCLUDES:

- |   |                                       |   |   |
|---|---------------------------------------|---|---|
| 1 | KONE ReSolve™ DX controller cabinet   | 4 | Door operator interface                             |
| 2 | Existing hoisting machinery interface | 5 | Signalization                                       |
| 3 | Positioning system                    | 6 | KONE 24/7 Emergency Video Communications (Optional) |

## PLAN FOR SUCCESS WITH KONE AS YOUR PARTNER

Continuously optimize people flow and improve the user experience in your building with the assistance of an experienced partner. We can help you make your building smarter with valuable insights based on a holistic view of end-user behavior and people flow.

We work with an ecosystem of partners to provide new services and solutions, and through our People Flow Planning and Consulting service we can help move people smoothly and safely around your building. We can also help you make better investment planning decisions based on solid data, and

provide sustainable technologies, materials, and services that contribute to credits and certifications for green-building accreditation.

## UPGRADE WITHOUT THE HASSLE

On time and on budget, with no surprises, that's our promise. We take care of everything, from planning the project to updating your elevator. We'll also provide technical and safety information and training when we hand it over to you, as well as provide support with any third-party inspections required. We can also make sure your elevator operates reliably and safely for its entire lifespan with a customized KONE Care™ preventive maintenance package.

## FOUR EASY STEPS TO AN UPGRADED ELEVATOR

### 1 Fact-finding



- We'll carry out a detailed site survey to learn more about what kinds of upgrades would be best for your elevator and building.
- As part of this process, we'll talk to key stakeholders to learn what they want to get out of the project.

### 2 Recommendation and estimate



- You'll get a clear recommendation about what to upgrade based on your needs and our expert opinion.
- We'll provide a detailed schedule and cost breakdown so you know what to budget for and how long the project will take.

### 3 Execution



- Once the project is underway, a KONE project manager will be responsible for quality checks and supervision throughout the process.
- We'll keep everyone fully informed about the schedule and progress of the work. We can even provide KONE InfoMod information boards for building lobbies to keep tenants informed of the progress.

### 4 Ongoing maintenance and care



- We can create a tailored KONE Care™ maintenance plan for your equipment to keep it running safely and smoothly.
- With KONE 24/7 Connected Services\*, we can monitor your equipment around the clock and take proactive action to prevent potential problems from causing a breakdown.

\*Separate agreement and charges apply. KONE maintenance agreement required. KONE not responsible for third-party wireless service interruptions.



KONE provides innovative and eco-efficient solutions for elevators, escalators and the systems that integrate them with today's intelligent buildings.

We support our customers every step of the way: from design, manufacturing and installation to maintenance and modernization. KONE is a global leader in helping our customers manage the smooth flow of people and goods throughout their buildings.

Our commitment to customers is present in all KONE solutions. This makes us a reliable partner throughout the life cycle of the building. We challenge the conventional wisdom of the industry. We are fast, flexible, and we have a well-deserved reputation as a technology leader, with such innovations as KONE MonoSpace® DX, KONE EcoMod® and KONE UltraRope®.

KONE employs over 60,000 dedicated experts to serve you globally and locally.

#### KONE AMERICAS HEADQUARTERS

4225 Naperville Road  
Lisle, IL 60532  
Tel. (630) 577-1650

[www.kone.us](http://www.kone.us)

Boost your building's value.  
Scan this code or visit our  
website to get in touch with  
a KONE Sales Professional:

[kone.us/rsdx](http://kone.us/rsdx)

