

# KONE KEYPAD CAR OPERATING PANEL WITH KONE INFOSCREEN

## FOR IMPROVED GUIDANCE AND COMMUNICATION

With the KONE keypad car operating panel with media screen, multimedia and web-based information is seamlessly integrated with the car operating panel to enhance the passenger experience and guidance in your building.

Passengers benefit from clear elevator-related data such as travel direction and next stops, as well as news, weather, entertainment and building announcements delivered in full HD 1080p. The information can include text, images and video.

The display content is easily managed and customized with our browser-based content management tool. To streamline content updates, content can be pre-programmed as desired.

The KONE keypad car operating panel with media screen is designed to be visually consistent with other KONE signaling, providing a sleek, harmonized look throughout your building.

### KEY BENEFITS:

#### Easily customizable

- Define your preferred online or offline content\*
- Manage easily via our content management tool

#### Visually appealing

- A seamlessly integrated media screen delivers a sleek look

#### Effective information channel

- Quick, clear communication of real-time information
- Improved guidance and safety for passengers

#### Additional revenue channel

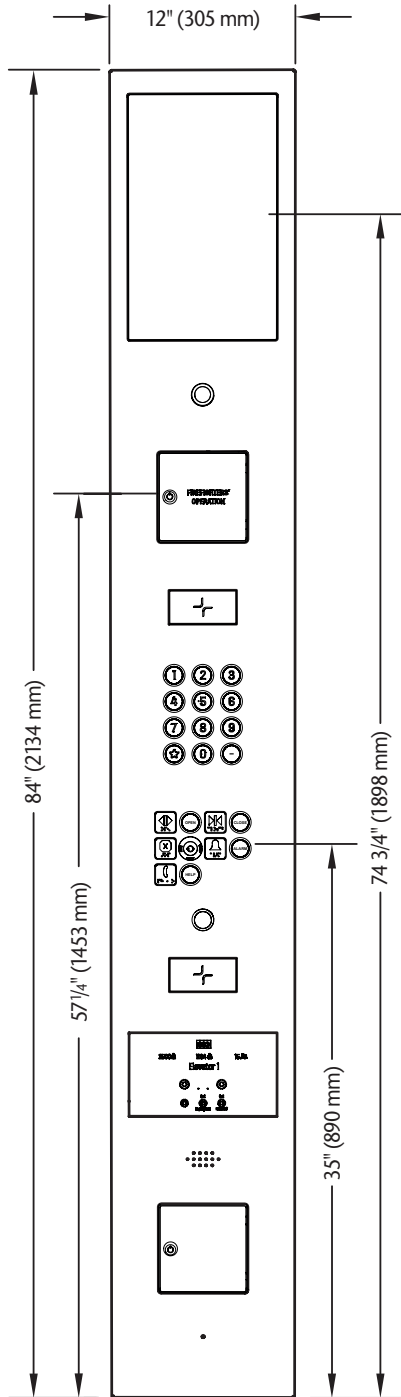
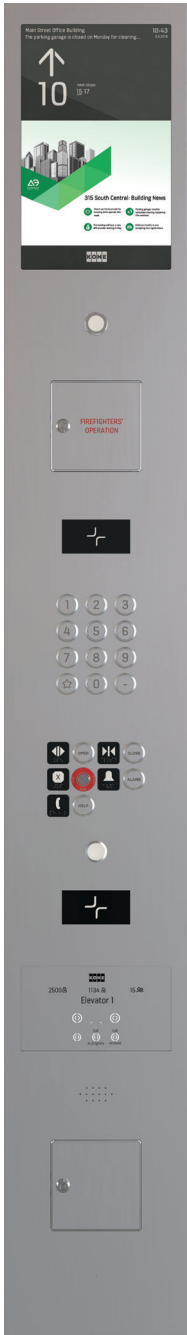
- Boost business with effective marketing and advertising



The KONE keypad car operating panel with media screen provides an open, convenient communication channel with elevator passengers.

\*Online version is only available for KONE MonoSpace 700 and KONE MiniSpace

## Keypad car operating panel



### Media screen key features

Mounting	Flush
Layout	Portrait
Active display Area	13.5" x 7.6" (34.4 cm x 19.4 cm)
Resolution	Full HD 1920 x 1080
LED backlight lifetime	70,000 hours (8 years)
Diagonal size	39.6 cm (15.6 inches)
Polarizer surface	Anti-glare, hard coating
Default power consumption	20.4W (0.85A) 80% brightness, no video
Maximum power consumption	25.2W (1.05A) full screen full HD video playback, full brightness, audio at maximum volume
Power saving mode	Backlight is turned off and screensaver is on 1 minute after last update from elevator SPI interface. Besides energy savings screensaver also extends the lifetime of the display.