

TOE-TO-GO



Foot-Activated Elevator Call Button

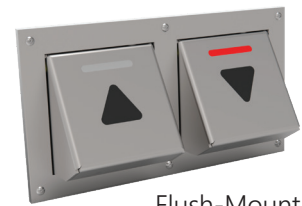
The Toe-To-Go (T2G) foot-activated elevator call button allows activation of hall & car station buttons by shoe, reducing the risk of transferring germs by creating a hands-free experience.



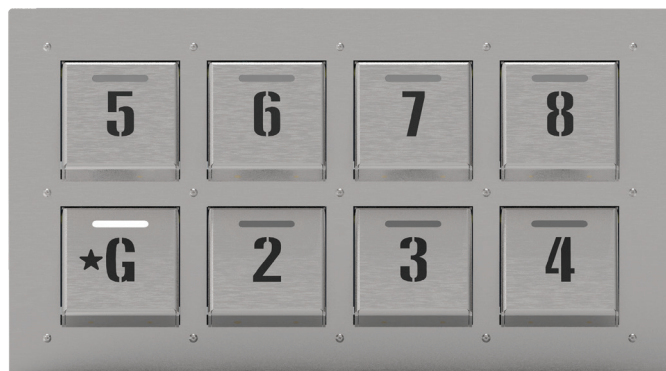
- ✓ Hands-Free Activation
- ✓ Robust Durable Design
- ✓ Stainless Steel or PVD Brass finish
- ✓ Easy Retrofit for Existing Installation
- ✓ Wire in Parallel to Existing Buttons
- ✓ Surface-Mount Option for Hall Station
- ✓ Keypad Option for COP



Surface-Mount



Flush-Mount



General Details

General: Robust Rocker Design to withstand abuse

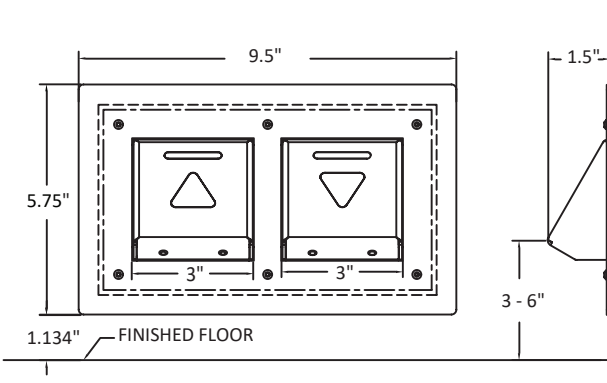
Wiring: Screw terminals in parallel with hall station or car operating panel pushbuttons

Illumination: LED-illumination in Red, Green, Blue, White or Amber

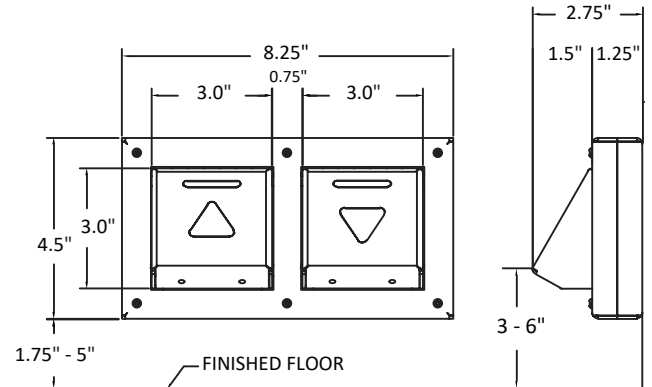
Voltage: Illuminated – 24V, Non-Illuminated – 120V

Cleaning: Wipe down with a damp cloth and mild soap

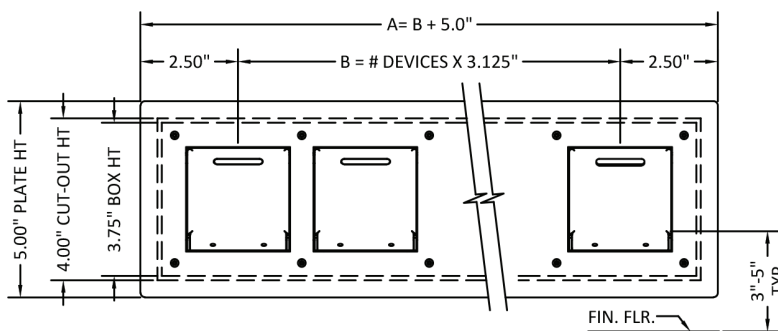
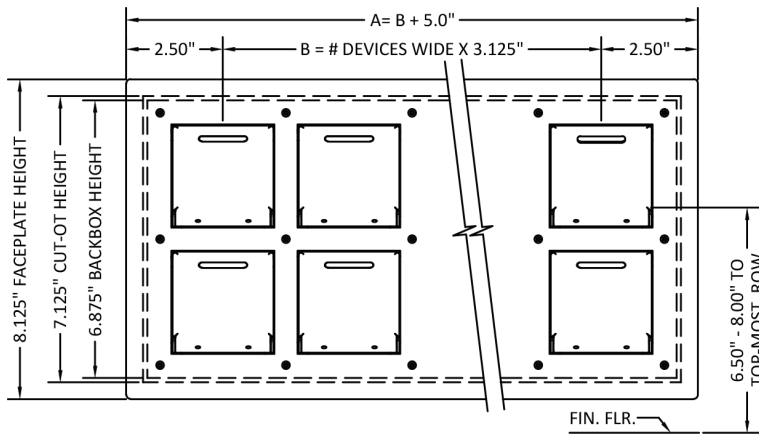
Typical Hall Station (Flush)



Typical Hall Station (Surface)



Typical Car Station (Flush)



DOUBLE-ROW FACEPLATE & BACKBOX WIDTHS			
FLOORS	FACEPLATE	BACKBOX	CUT-OUT
4	8.125"	6.875"	7.125"
6	11.250"	10.000"	10.250"
8	14.375"	13.125"	13.375"
10	17.500"	16.250"	16.500"
12	20.625"	19.375"	19.625"
14	23.750"	22.500"	22.750"
16	26.875"	25.625"	25.750"

Keypad option available.

SINGLE-ROW FACEPLATE & BACKBOX WIDTHS			
FLOORS	FACEPLATE	BACKBOX	CUT-OUT
2	8.125"	6.875"	7.125"
3	11.250"	10.000"	10.250"
4	14.375"	13.125"	13.375"
5	17.500"	16.250"	16.500"
6	20.625"	19.375"	19.625"
7	23.750"	22.500"	22.750"
8	26.875"	25.625"	25.750"

Keypad option available.

This publication is for general informational purposes only. Product design is subject to change without notice. Actual product colors, finishes and specifications may vary from graphical representations.

Presented by KONE on behalf of MAD Elevator Inc.